

AA210492

Optional accessories

Installation accessories

Lowering frame

AA210492

- Can be combined with flat kitchen hood series 200.
- The patented lowering frame allows the flat kitchen hood to disappear completely into the upper cabinet.
- For assembly directly on the kitchen wall or reinforced upper cabinet.
- The required cavity depth of the upper cabinet together with the lowering frame measures 335 mm.
- For assembly in the upper cabinet.
- Can be combined with flat kitchen hood series 200.

The patented lowering frame allows the flat kitchen hood to disappear completely into the upper cabinet.

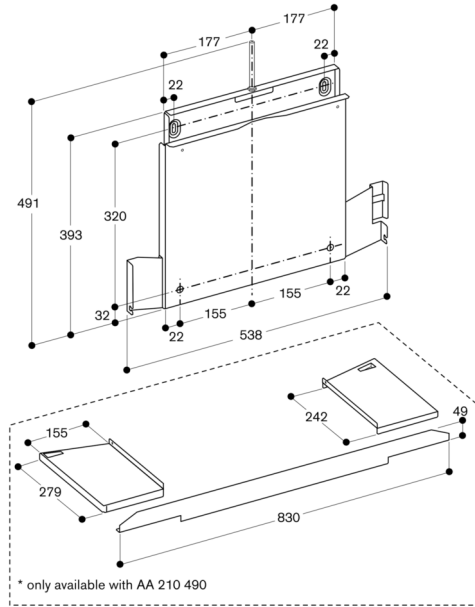
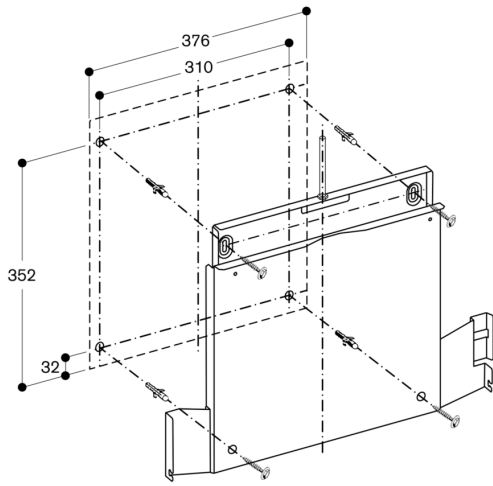
For assembly directly on the kitchen wall or reinforced upper cabinet.

The required cavity depth of the upper cabinet together with the lowering frame measures 335 mm.

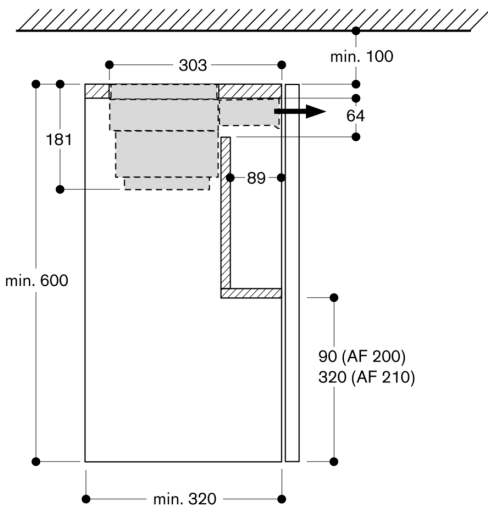
For assembly in the upper cabinet.

In combination with a back wall panel >5 mm the lowering frame needs to be lined and the cavity depths must be adapted accordingly.

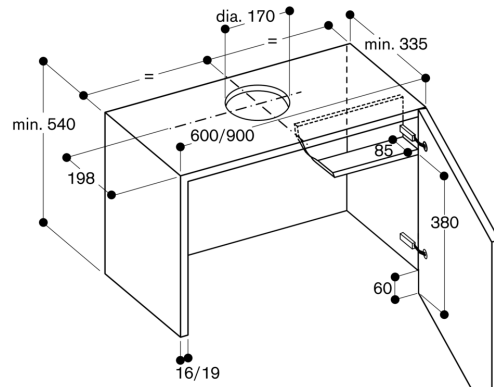
For the installation of the lowering frame a flexible hose is needed.

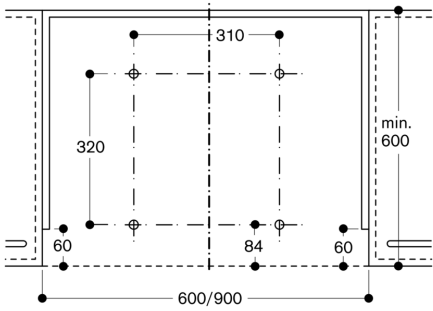
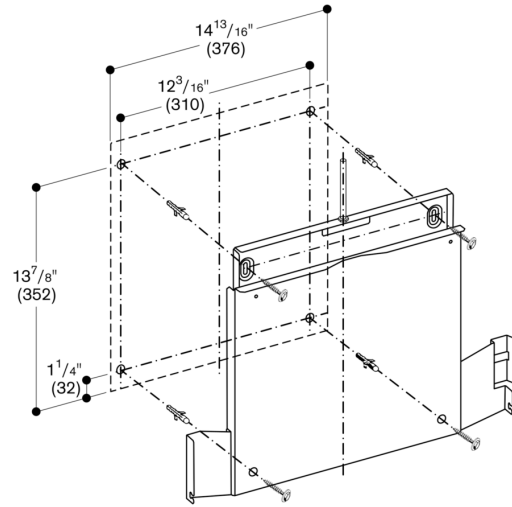
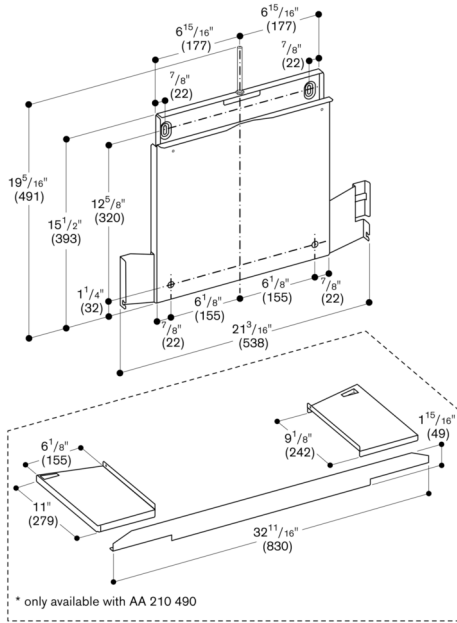


Cross-section of upper cabinet with AA 211 812

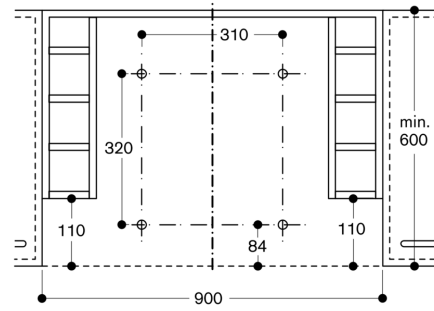


Upper cabinet for AF 210 with AA 210 460/AA 210 490 lowering frame

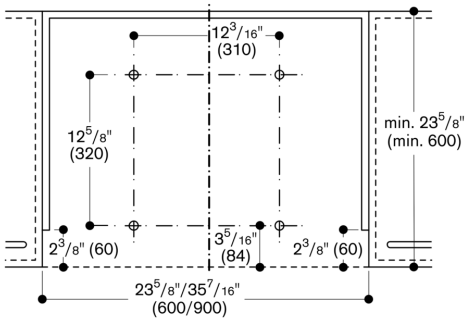




Fitting directly to the kitchen wall



Kitchen units with side shelving units
Fitting directly to the kitchen wall



Fitting directly to the kitchen wall