



Planning notes

Suitable for flat duct and flat duct flex.
Suitable for round duct (with pipe connector) and aluflex pipe.

Easy to connect via the flat duct connecting piece.

Aerodynamically optimised for minimised pressure losses and maximised flow rate.

Complies with the Needle Flame Test (according to IEC 60695-11-5), the V2 flammability class (according to UL94) and the B1 building material class (DIN 4102-1).

Color Variants

AD857041

Characteristics

Dimensions

Dimensions of the packed product

(HxWxD)

190x220x230

Dimensions of the master case (mm)

Pallet dimensions

171.0 x 80.0 x 120.0

Quantity per packing unit

6

Standard number of units per pallet

96

Units per layer

Net weight

0.2

Gross weight

0.5

Maximum Power

Voltage

Frequency

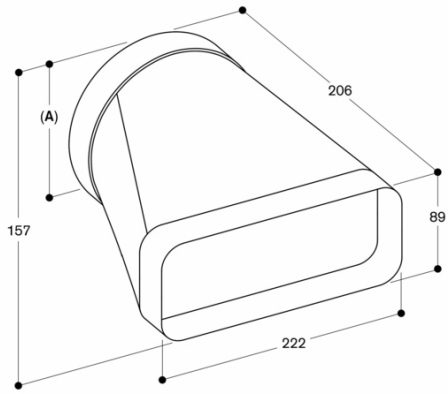
Length electrical supply cord

Plug type

Consumption and connection features

2025-12-18

Page 1



A: ø 152.5

measurements in mm