

**8kg heat pump system ensures gentle drying, high performance and energy efficiency with a 8-star energy rating. Woolmark Blue certified, with Advanced SensiCare, reverse tumbling action, and SmartSelect UI.**



## Product Details

### FEATURES

---

#### Stainless Steel Drum

The stainless steel drum ensures fabric slides on its surface, not getting caught or causing tears.

#### Perfect Pairing

UltimateCare washers and dryers feature perfectly aligned design for a harmonious look and feel.

#### ColourCare

ColourCare keeps the colours in your clothes looking like new for longer.

#### Woolmark Apparel Care

Enjoy peace of mind with our Woolmark certification to safely care for your washable woollen garments.

---

#### SensiCare

SensiCare dynamically measures and adjusts the drying time to protect garments from over drying.

#### Hygiene

The Hygiene cycle dries while removing 99.9% of common bacteria and viruses.\*\* Tested for Candida albicans, MS2 Bacteriophage and Escherichia coli in external test performed by Swissatest Testmaterialien AG in 2021 (Test Report No. 20212038).

#### Heat Pump Technology

Heat Pump technology protects fabrics by drying effectively at lower temperatures using less energy.

#### DelicateCare

DelicateCare perfectly cares for even your most delicate garments.

---

### BENEFITS

---

#### STEEL DRUM FOR RELIABLE DRYING

The stainless steel drum ensures optimal reliability while tumble drying, ensuring fabrics slide on its surface and don't get caught or snagged causing tear. Treating all your garments with delicate care.

#### COLOURS REMAIN AND STAYS

ColourCare keeps the colours in your clothes looking like new for longer. By using UltimateCare dryers, fabrics maintain their vibrancy for longer, so clothes always look and feel their best.

---

#### Woolmark Apparel Care

Taking care of your precious woollen garments is now even easier with our advanced Woolmark Certified Woollen cycle. Created especially for machine washable woollen garments, you can now safely dry your woollens without visible shrinkage.

#### DRY AND PRESERVE YOUR CLOTHES

SensiCare measures the temperature and humidity within the drum and dynamically adjusts the time and energy consumption accordingly, so garments are protected from over drying.

---

**REMOVES BACTERIA AND VIRUSES\***

"The Swisstatest verified Hygiene cycle runs above 60°C, drying while sanitising items, removing more than 99.9% of common bacteria and viruses.\* Now you can dry duvets, pillows and clothes with confidence.\* Tested for Candida albicans, MS2 Bacteriophage and Escherichia coli in external test performed by Swisstatest Testmaterialien AG in 2021 (Test Report No. 20212038).

---

**DRIES WITH 60% LESS ENERGY\***

Heat pump technology efficiently keeps your clothes lasting longer by drying at much lower temperatures than conventional dryers. It cares for your delicate garments while using up to 60% less energy.\* \*60% lower energy consumption of Heat Pump tumble dryer (HPTD) compared to Condenser tumble dryer at the same load.

---

**TAILORED DRYING FOR DELICATES**

The DelicateCare Heat Pump Dryer adjusts the temperature and motion of the drum to specific fabrics, ensuring tailored care. Silks retain their shape, woollens resist shrinking and waterproofing is protected. Woolmark Blue certified.

---

## Specifications

### PRODUCT PROFILE

---

Domestic warranty details (yrs)	2
---------------------------------	---

---

Dryer Type	heat pump
------------	-----------

---

Design family (eline)	UC3
-----------------------	-----

---

Capacity (Kg)	8
---------------	---

---

Wall mount option	no
-------------------	----

---

### ENERGY

---

Energy Efficiency Star Rating	8
-------------------------------	---

---

Energy Consumption (KWhr/yr)	130
------------------------------	-----

---

### BUTTON FUNCTIONS

---

Functions	power/on/off, Start /Pause, Child Lock, Finish In, Extra Silent, Reverse Plus, End Alert, Dryness Level, Extra Antcrease, Time Dry
-----------	--

---

### DIMENSIONS

---

Total height (mm)	850
-------------------	-----

---

Total width (mm)	596
------------------	-----

---

Total depth (mm)	662
------------------	-----

---

### CONTROLS

---

Type of controls	electronic rotary, Touch button
------------------	---------------------------------

---

Type of display	LED
-----------------	-----

---

### DRYING PROGRAMS

---

Drying Programs	Cotton, Synthetic, Delicate, Refresh, Duvet, Wool, Eco Cotton, Denim, Bedding+, Hygiene, Easy Iron, Vapour Refresh, Eco
-----------------	---

---

## DRUM

---

Spin tub material	stainless steel
-------------------	-----------------

---

## CABINET

---

Cabinet Colour	white
----------------	-------

---

Cabinet material	painted galvanized steel
------------------	--------------------------

---

## SHIPPING

---

Shipping Weight (Kg)	51.5
----------------------	------

---

Pack Dimensions Height (mm)	872
-----------------------------	-----

---

Pack Dimension Width (mm)	635
---------------------------	-----

---

Pack Dimension Depth (mm)	675
---------------------------	-----

---

## DRYING PROGRAMS

---

Degree of dryness	extra, cupboard, iron dry
-------------------	---------------------------

---

Venting	directional front vent grille
---------	-------------------------------

---

## DOOR

---

Dryer Door colour	Dark Onyx
-------------------	-----------

---

## TECHNICAL

---

Dryer Lint filter position	front pocket
----------------------------	--------------

---

Dryer Element watts	00
---------------------	----

---

## STUFFING QUANTITIES

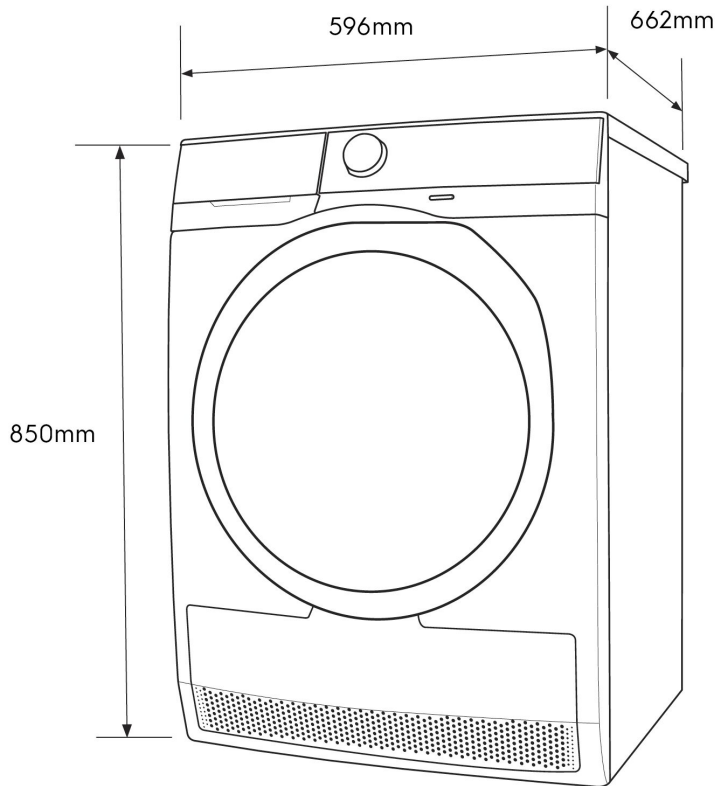
---

40ft HC	150
---------	-----

---

## Dimensions

**Model:**  
EDH803P5WC



© 2024 Electrolux S.E.A PTE. LTD. ELX\_IM\_Diag\_EDH803P5WC\_ANZ\_EN\_Jul24

## Terms and Conditions

### IMPORTANT

This is a guide of product dimensions only. For complete installation instructions, refer to the manual provided with product.

### PRODUCT INFORMATION

The descriptors and illustrations in this publication apply to the specific products and models described as at the date of issue. Under our policy of continuous product development, product specifications may change without notice. Prospective purchasers should therefore check with their retailer to ensure this publication correctly describes the products that are being offered for sale. All information supplied is to be used for general reference purposes only and is on the understanding that Electrolux Home Products Pty Ltd (Australia) and Electrolux (NZ) Ltd (New Zealand) will not be liable for any loss, liability or damage of whatever kind arising as a result of reliance on such information. Colours of products illustrated are as close as printing limitations allow. Electrolux will at all times comply with its obligations pursuant to law including Trade Practices (Australian Consumer Law) Act and Regulations.

### WARRANTY

This warranty only applies to Appliances purchased and used in Australia or New Zealand and used in normal domestic applications and is in addition to (and does not exclude, restrict, or modify in any way) any non-excludable statutory warranties in Australia or New Zealand. All warranties are subject to the conditions set out in the warranty card accompanying the product when purchased.

#### ELECTROLUX HOME PRODUCTS AUSTRALIA

telephone: 1300 363 640

fax: 1800 350 067

email: [customercare@electrolux.com.au](mailto:customercare@electrolux.com.au)

web: [www.electrolux.com.au](http://www.electrolux.com.au)

#### ELECTROLUX HOME PRODUCTS NEW ZEALAND

telephone: 09 573 2230

fax: 09 573 2221

email: [customercare@electrolux.co.nz](mailto:customercare@electrolux.co.nz)

web: [www.electrolux.co.nz](http://www.electrolux.co.nz)