



AD704050

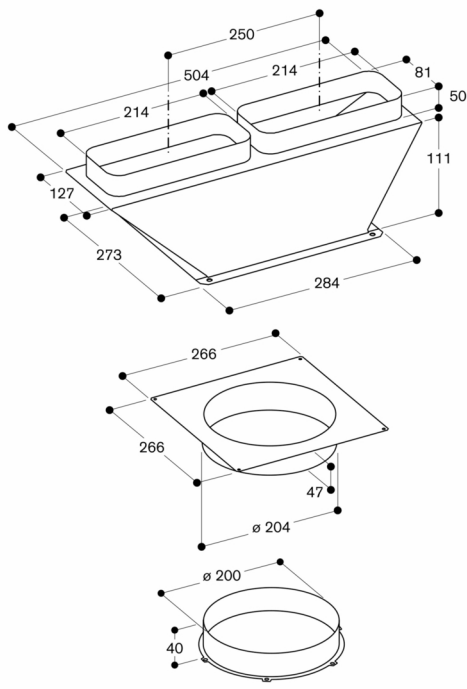
Air duct part

AD704050

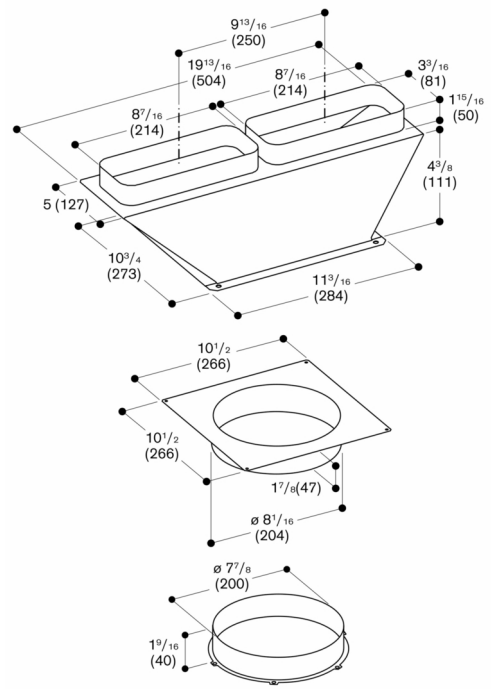
- 1 x Air collector box.
- 2 x DN 150 flat duct air intake.
- To connect AL 400 to the remote fan unit AR 403 / AR 413 bottom side.
- 1 x DN 200 cylindrical duct air outlet.
- To connect AL 400 to the remote fan unit AR 401 (in combination with the air collector).
-

Planning notes

- 1 x Air collector box.
- 2 x DN 150 flat duct air intake.
- To connect AL 400 to the remote fan unit AR 403 / AR 413 bottom side.
- 1 x DN 200 cylindrical duct air outlet.
- To connect AL 400 to the remote fan unit AR 401 (in combination with the air collector).
- 1 x DN 200 round duct air intake.
- To connect the AL 400 to the remote fan unit AR 403 in the cellar (in combination with the air collector and the DN 200 air outlet).



Measurements in mm



Measurements in inches (mm)