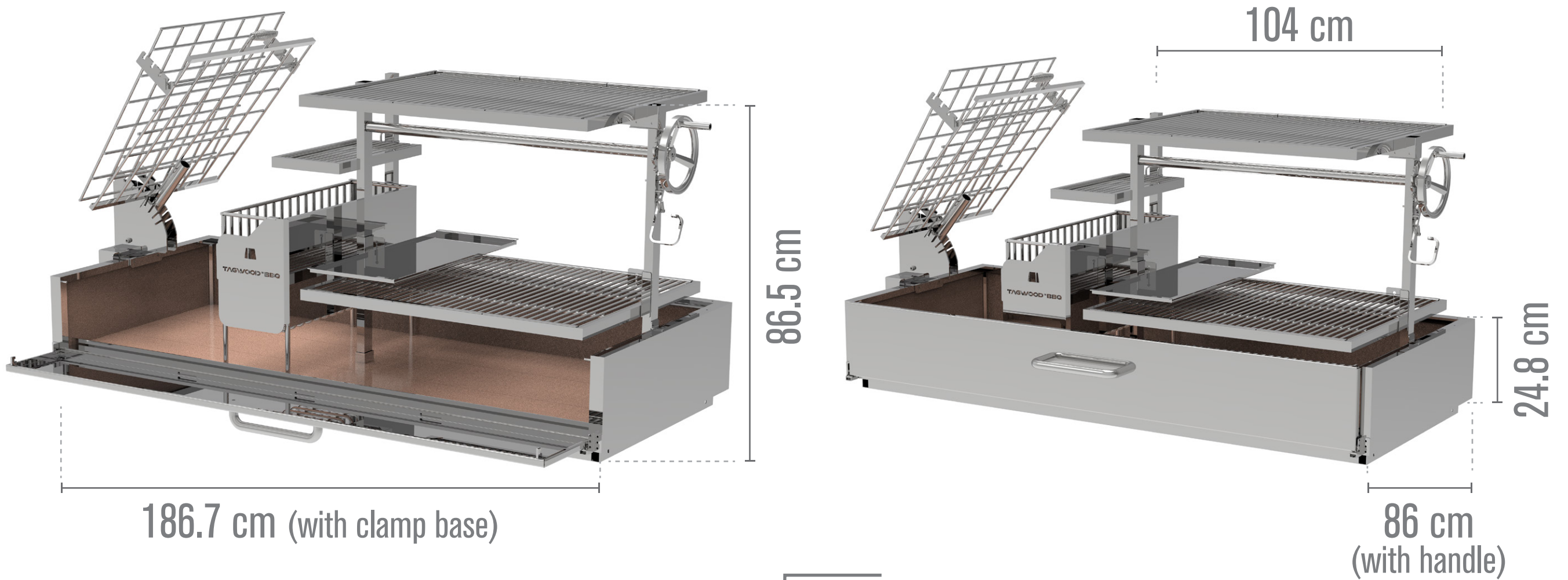


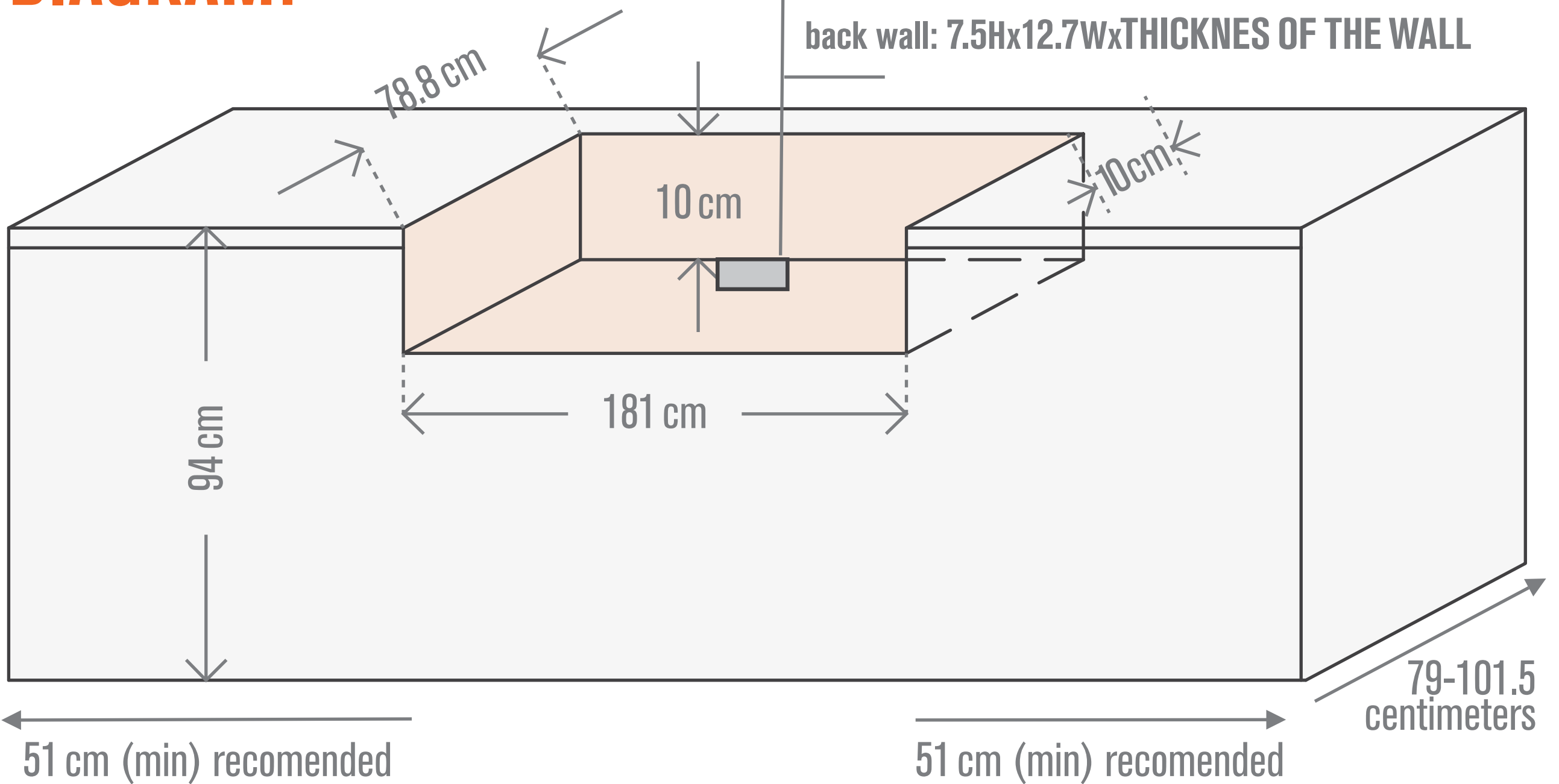
# - INSTALLATION GUIDE -

**GRILL SIZE (cm): 86.5Hx186.7Wx78D**



## DIAGRAM:

Remember to include a drain hole for the drain system (centered)  
**bottom base: 7.5Hx12.7Wx25.5L**  
**back wall: 7.5Hx12.7WxTHICKNES OF THE WALL**



- Please note, these measurements and diagrams are a recommendation only, and are estimated, for reference only. Dimensions may vary slightly because these products are hand finished. Always have the grill present while building the design and corroborate dimensions.
- Our grills sit on 4 screws on the bottom, 2 on each side, so please contemplate them when creating the build out so that they are flushed to the base, to avoid movement.
- Always consult with professional and qualified personnel for the assembly/construction of the base/built-out with adequate materials and installation.
- TAGWOOD BBQ is not responsible for inappropriate/erroneous installation or build-out. Center or support surfaces must be leveled.
- Must include ventilation holes through out the base to ensure adequate air flow.
- The base needs to be made of noncombustible materials, such as concrete or steel. Never use flammable materials on or around where the product will be placed/installed. Do not install the grill on or near combustible materials.
- Also, always leave space to the right the grill, for proper movement of the wheel to adjust the main grates height.
- Remember to install a heat resistance base, with firebricks on the bottom of the grill, always placing the front firebricks first.



For assembling video scan the QR code