



AL400122

AA400510:

Window contact switch with cable

AA400510:

Window contact switch with cable

AA409431:

Furniture support for AL400 120cm

AD704050:

Air collector box flat duct AL 400

AD754049:

Adapter for AL round 2x DN150

AD854050:

Connection piece for AL 2x flat 150mm

Table ventilation 400 series 120 cm, Stainless steel

AL400122

- Streamlined and Effortless Cooking Experience
 - Precision crafting of 3 mm stainless steel
 - For surface mounting with a visible edge or for flush mounting
 - When not in use it can be completely lowered into the worktop blends elegantly into worktop
 - Extendable table ventilation, when not in use can be completely lowered into the worktop
- Can be combined perfectly with all Vario cooktops 400 series
- Dimmable, neutral white surface LED light for ideal illumination of the whole cooktop
- Precision crafting of 3 mm stainless steel
- For surface mounting with a visible edge or for flush mounting
- Motorless, can be combined with Gaggenau BLDC remote fan units

Features

3 electronically controlled power levels and 1 intensive mode.

Interval ventilation, 6 min.

Run-on function, 6 min.

Grease filter saturation indicator.

2 large-scale metal grease filters included, easy to remove, dishwasher-safe.

Grease drip trays, easy to remove and dishwasher-safe.

Neutral white surface LED light (3600 K), continuously dimmable.

Lamp output 4 x 10 W.

Illuminance 400 lx.

Flexible connection options to the remote fan unit: at the bottom, at the front or at the back.

In all the options, it is possible to have space for drawers in front of the table ventilation.

Planning notes

Combinable with all cooktops Vario 400 series and 400 series.

Maximum cooktops width: 120 cm.

The equivalent ducting length to ensure good performance is L_{max} 19 m.

It is recommended to use two remote fan units so that sufficient vapour captation will be ensured.

Depending on the type of installation, the corresponding accessories must be ordered separately.

Air recirculation is not recommended in combination with Vario electric grill.

Operation of Vario cooking appliances only possible without appliance cover.

Max. output of cooktops 18 kW.

The table ventilation must have its own worktop cut-out.

The bearing capacity and stability, in the case of thin worktops in particular, must be supported using suitable substructures. Take into account the appliance weight and additional loads.

The remaining surface of the worktop (min. 50 mm) between the cut-outs must be reinforced with a support. It is recommended to use furniture support AA 409 401/431.

Additional instructions for flush mounting:

Installation is possible in worktops made of stone, synthetics or solid wood. Heat resistance and watertight sealing of the cut edges must be observed. Concerning other materials please consult the worktop manufacturer.

Depending on the type of installation, ovens can be combined with the table ventilation.

When installing a ventilation hood with air extraction mode and a chimney-vented fireplace, the power supply line of the ventilation appliance needs a suitable safety switch.

The control unit should be accessible and be secured to a panel of the cabinet that avoids any risk of flooding.

For optimum performance in air recirculation we recommend an outflow surface area of at least 800 cm². 400 cm² for each remote fan unit.

Connection

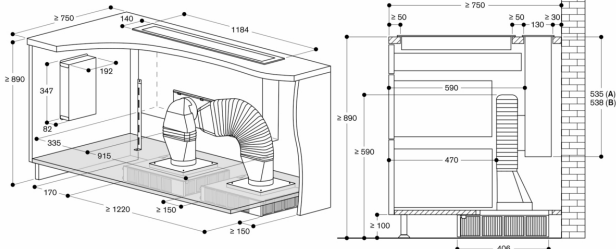
Total connected load 65 W.

Connecting cable 1.7 m with plug.

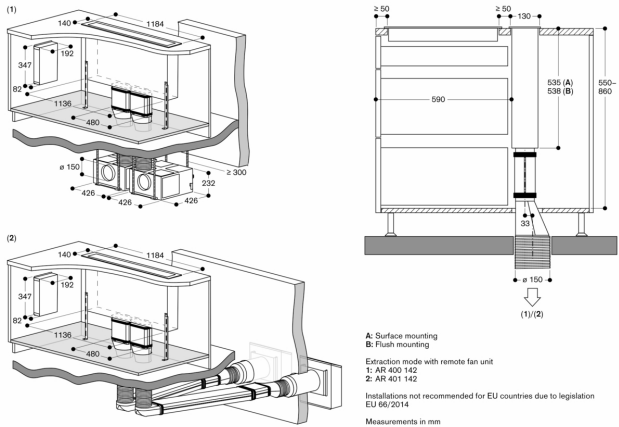
Network cable 1.2 m.

Output

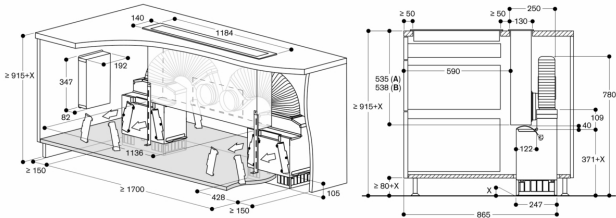
Power levels depend on the remote fan unit.



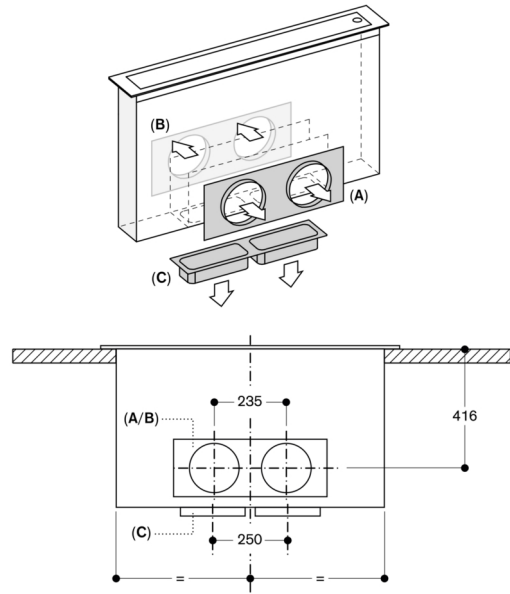
A: Surface mounting
B: Flush mounting
Not recommended for non-thermally insulated outer wall or floor ($U \geq 0.5 \text{ W/m}^2\text{K}$)
Measurements in mm



A: Surface mounting
B: Flush mounting
Extraction made with remote fan unit
1: AR 400 142
2: AR 401 142
Installations not recommended for EU countries due to legislation EU 86/2914.
Measurements in mm

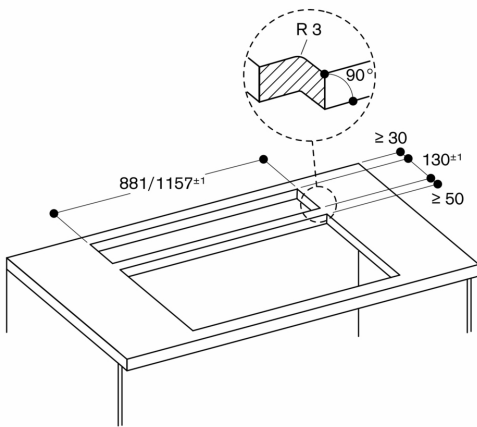


A: Surface mounting
B: Flush mounting
Not recommended for non-thermally insulated floor ($U \geq 0.5 \text{ W/m}^2\text{K}$)
Measurements in mm

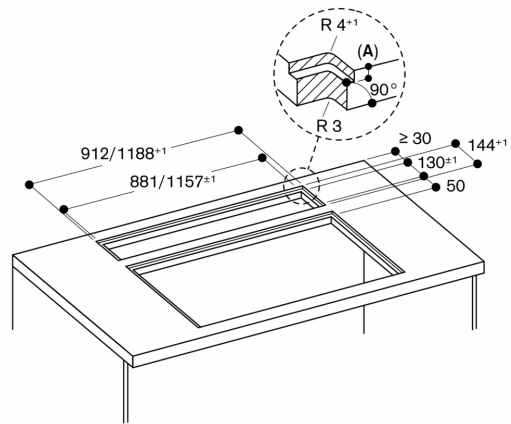


A: Connection at the front with AD 754 049
B: Connection at the back with AD 754 049
C: Connection at the bottom with AD 854 050

Measurements in mm



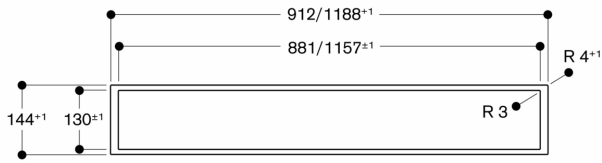
Measurements in mm



A: $3.5^{0.5} \text{ mm}$

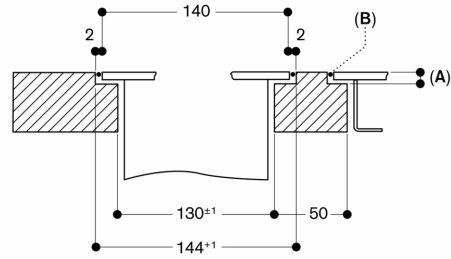
Measurements in mm

View from above



Measurements in mm

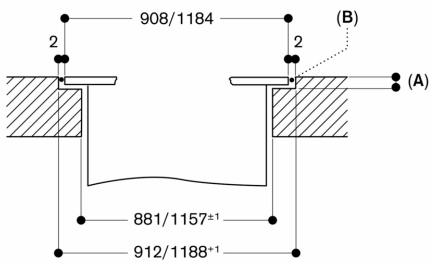
Cross section



A: 3.5^{±0.5} mm
B: Fill with silicone

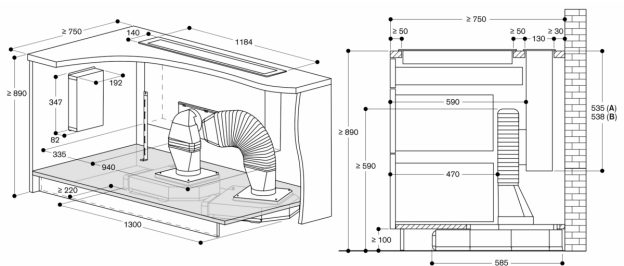
Measurements in mm

Longitudinal section



A: 3.5^{±0.5} mm
B: Fill with silicone

Measurements in mm



A: Surface mounting
B: Flush mounting
Measurements in mm

AA 409 401/431 furniture support

